

CONSTRUCTION EQUIPMENT

**SUNWARD**  
INNOVATION LEADS TO VALUE

COMPACT TRACK LOADER  
**SWTL 4538**

Engine Power: **55.4 kW**

Machine Weight: **4 400 kg**

Rated Operating Capacity: **1 200 kg**

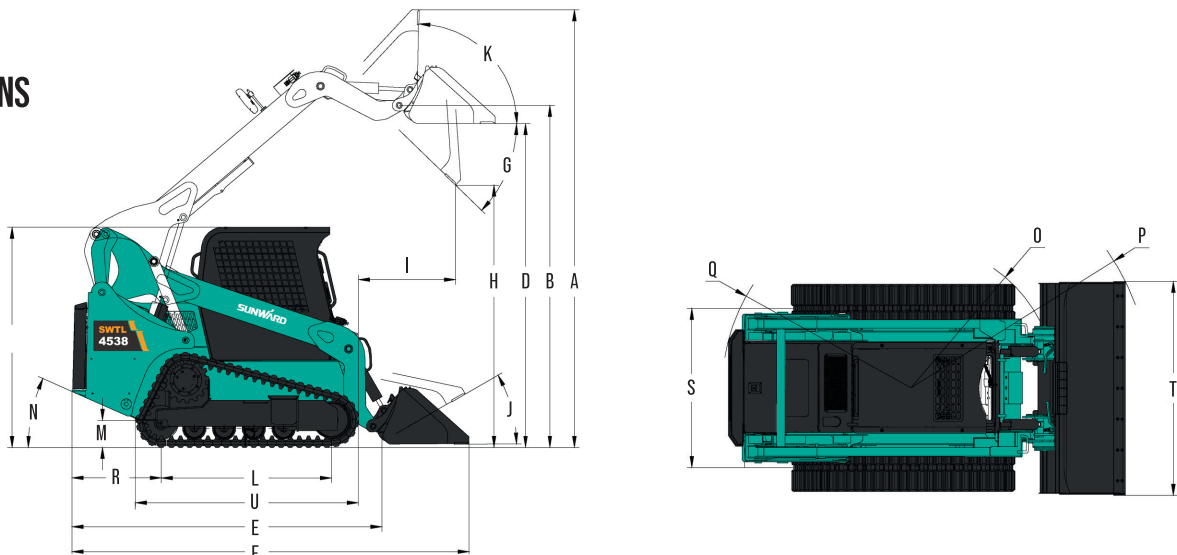


# TECHNICAL PARAMETERS

## SWTL 4538

PERFORMANCE	Operating weight	4 400 kg
	Rated operating capacity	1 200 kg
	Tipping load	3 430 kg
	Breakout force curl	3 385 kg
	Breakout force lift	2 600 kg
	Travel speed	7.8/13 km/h
DIMENSIONS	Overall dimension (L × W × H) (standard bucket)	3 750 × 2 015 × 2 071 mm
	A Maximum overall height	4 079 mm
	B Bucket pin height at maximum lift	3 222 mm
	C Height to top of cab	2 071 mm
	D Height to bottom of level bucket	3 044 mm
	E Length without bucket	2 969 mm
	F Length with bucket on ground	3 750 mm
	G Maximum dump angle	44 deg
	H Clearance at maximum lift and dump	2 467 mm
	I Reach at maximum lift and dump	891 mm
	J Rack back angle bucket on the ground	30 deg
	K Rack back angle at maximum height	97 deg
	L Track length on the ground	1 600 mm
	M Ground clearance	228 mm
	N Departure angle	34 deg
	O Turning radius from center - Coupler	1 368 mm
	P Turning radius from center - Bucket	2 253 mm
	Q Turning radius from center - Machine rear	1 744 mm
	R Bumper overhang behind rear axle	855 mm
	S Width over tires	1 950 mm
T Bucket width	2 015 mm	
U Track length	2 100 mm	
ENGINE	Brand	KUBOTA
	Model	V3307-CR-TE5B
	Type	Diesel, 4 cylinders, water cooled
	Emission rating	EU Stage V
	Output	55.4/2 600 kW/rpm
	Max torque	265/1 500 N*m/rpm
TRACK	Type	Rubber track
	Rubber shoe width	450 mm
ELECTRICAL SYSTEM	Starter	12V/3,0 kW
	Alternator rating	12V/80A
	Battery	120 Ah
HYDRAULIC SYSTEM	Hydraulic flow (standard)	90 L/min
	Hydraulic flow (high)	130 L/min
	Max. hydraulic pressure	21 Mpa
HYDRAULIC OIL TANK CAPACITY		40 L
FUEL TANK CAPACITY		90 L

## DIMENSIONS



# EQUIPMENT

THE STANDARD AND OPTIONAL EQUIPMENT VARIES FROM COUNTRY TO COUNTRY. FOR MORE INFORMATION, PLEASE CONTACT US.

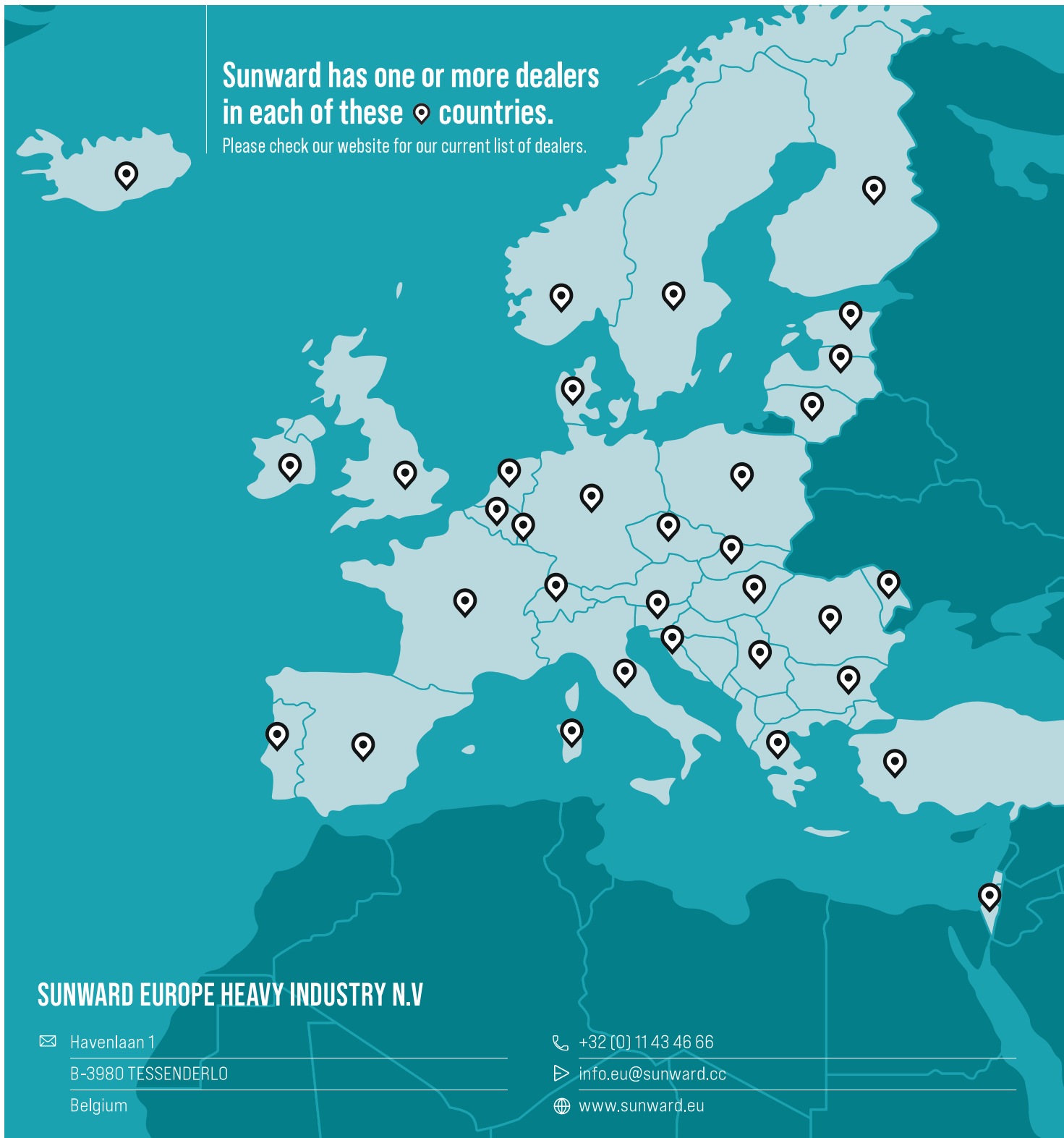
		STANDARD EQUIPMENT	OPTIONAL EQUIPMENT
CAB	FOPS/TOPS cab	•	
	Safety armrest	•	
	Adjustable seat	•	
	Mechanical suspension seat		•
	Centralized panel	•	
	Double accelerator control system	•	
	Pilot control operating system	•	
	Fan heater	•	
	Air conditioning		•
Lift cylinder safety bar	•		
FRONT WORKING DEVICES	Standard quick coupler	•	
	Standard bucket	•	
	Four-in-one bucket		•
	Pallet fork		•
	Solid tires		•
HYDRAULIC SYSTEM	Boom emergency descent	•	
	Hydraulic float level system	•	
	Closed hydrostatic travelling system	•	
	Standard or high flow hydraulic system	•	
	Lift cylinder safety bar	•	
	2-speed		•
ELECTRICAL SYSTEM	Front LED working light	•	
	Warning beacon light	•	
	Travelling alarm system (backward)	•	
	Horn	•	
	External power supply		•
	Attachment electronic control system		•
	Rear LED working light		•
OTHERS	Additional counter weight		•

# WORK TOOLS



Sunward has one or more dealers  
in each of these  countries.

Please check our website for our current list of dealers.

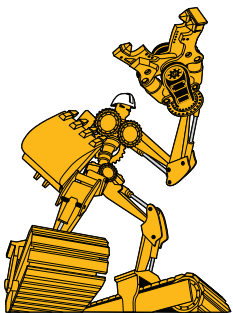


## SUNWARD EUROPE HEAVY INDUSTRY N.V

✉ Havenlaan 1  
B-3980 TESSENDERLO  
Belgium

☎ +32 (0) 11 43 46 66  
▶ info.eu@sunward.cc  
🌐 www.sunward.eu

## DEALER CONTACTS



### Sav. Iakovidis Bros S.A.

**Thessaloniki:**  
54628, 36Konstantinoupoleos str.  
Phone: +302310 55.62.66-7

**Athens:**  
19300, Aspropyrgos  
Phone: +30210 55.98.822

**web: [www.iakovidisbros.com](http://www.iakovidisbros.com)**  
**Email: [info@iakovidisbros.com](mailto:info@iakovidisbros.com)**